



**ANATOL**

(2)3 3x8(22)

3 7x15(80)

# SCOOP COATER



FOR **QUICK-COAT** AUTOMATIC  
EMULSION COATING MACHINE

## CHARACTERISTICS

The scoop coater is made of precision-extruded aluminum with a corrosion-resistant anodized finish that makes cleanup easy. The standard version includes a hinge-type dust protection cover.

The scoop coaters are made with a centering groove which helps set the coater in the center of the emulsion coating machine. The scoop coaters are interchangeable with any version of Anatol's Quik Kote automatic emulsion coating machine.

### Coating Edge

Optionally, the edges of the scoop coater can be made with four radii (mm): 0.25, 0.5, 0.75, 1.0 – standard execution.

Changing the radius allows you to change the thickness of the applied emulsion layer on the screen.

When applying the emulsion on the screen from two sides at the same time, the width of the front (**B**) and rear scoop (**C**) must be different. The front scoop coater normally measures 1" wider than the rear.

If the emulsion is applied sequentially (first on the front of the screen and then on the back of the screen) instead of simultaneously, you can use the same size front and rear scoops.

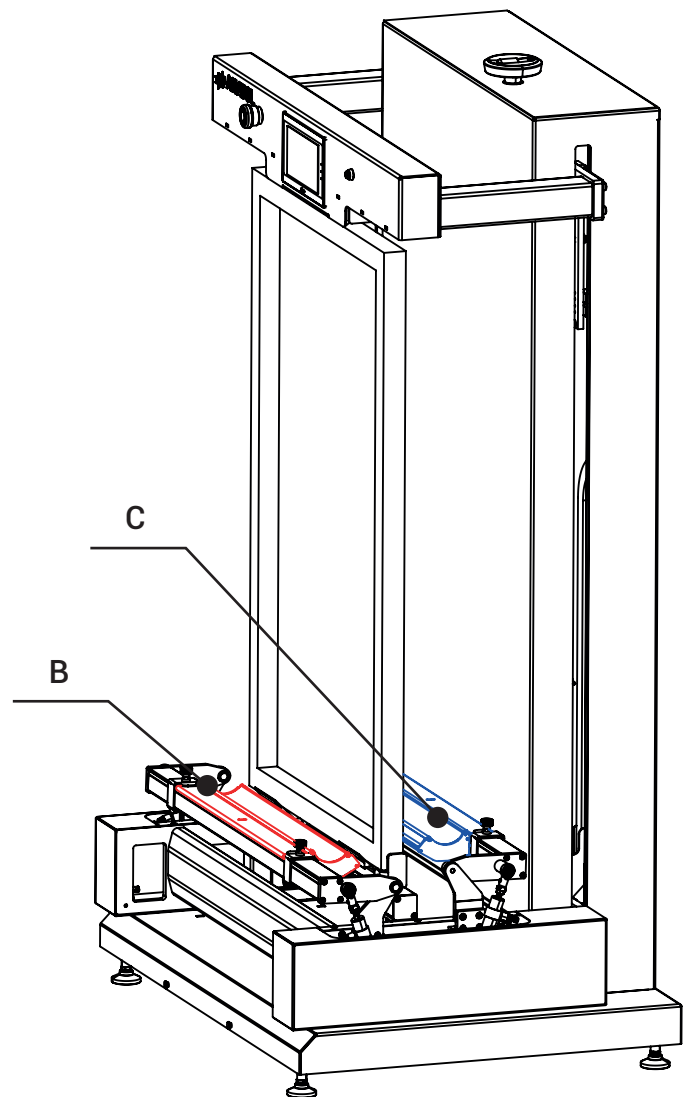


Fig. 1

Scoop size (Standard)			
			Parts Number
Screen (S) 21"x28"	A	17.9"(454mm)	
	B	16.5"(410mm)	17-130
	C	15.3"(390mm)	17-140
Screen (M) 23"x33"	A	19.9"(504.2mm)	
	B	18.1"(460mm)	17-110
	C	17.3"(440mm)	17-120
Screen (L-XL) 26"x36"/43"	A	22.9" (580.4mm)	
	B	21.0" (533mm)	17-070
	C	20.19"(513mm)	17-080

Standard dimension (scoop size (Standard))

Scoop size (Customer)			
		Size	Quantity
Scoop	A	—	—
	B	—	—
	C	—	—

Custom sizes (write in scoop size (Customer))  
 Custom lengths up to 47"

